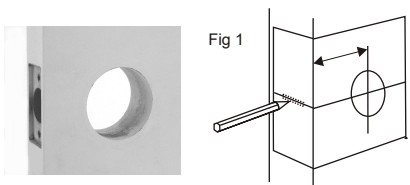


Installation Instructions For Venetian Lever Passage Sets (Tenor, Torcello, Lido)

The Mediterranean Lever Passage Set has been designed to be fitted to doors 32mm to 45mm in thickness. This lever set can be used on doors that have a pre-drilled 50mm hole (**not suitable for 54mm hole**) Where a privacy locking function is required (e.g. Bedrooms and Bathrooms), purchase the Privacy Adaptor Kit, (Part number #VSSPRKIT--specify finish).

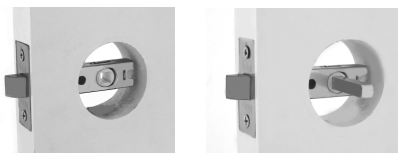
Step 1. Door Preparation

1. Choose either template "A" or "B" for door hole preparation. Template "B" is used where a 50mm or 54mm hole is drilled. Template "A" is used where a smaller 23mm hole is drilled, with additional 9.5mm screw fixing and snib shaft holes drilled.
2. Fold the template along the line that is to be placed on the door edge.
3. Mark the centre for the lever set and also mark the height for the centre of the latch hole. Refer to Fig 1.



Step 2. Install latch and Spindle

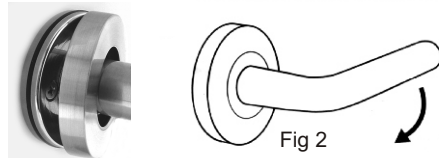
1. Measure the door thickness and mark the centre for the latch hole.
2. Drill a 25mm (1") latch hole, taking care to ensure that the hole is drilled squarely.
3. Drill the lever set holes as shown on the template that you have chosen.
4. Mark the recess required for the latch face and chisel a recess of 2.5mm in depth.
5. Insert the latch and secure with the screws provided.
Insert Spindle rod through the latch (see picture below)



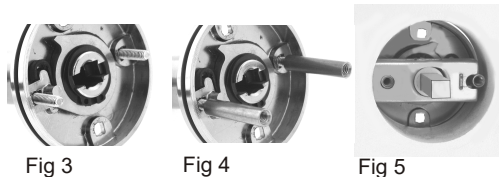
Note: Latch not included

Step 3. Fit the Lever Passage Set

1. Remove the press-on cover plate from the backplates on both lever handles.
2. Check the operation of the lever to ensure that a downwards motion is required to activate the lever when installed on the door (Refer to Fig 2)



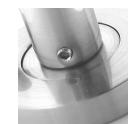
3. Insert the smaller screws (See Fig 3.)
4. Attach brass posts to the smaller screws (See Fig 4.)
5. Fit lever over spindle and posts through latch (See Fig 5.)



6. Now place the other lever backplate over the opposite latch spindle, and using the two larger through fixing screws, secure to the brass posts on the other side. (See Fig 6.) Be sure to check that the levers and the latch are aligned for smooth operation.
7. Press the cover plates back onto the backplates (see Fig 7.)

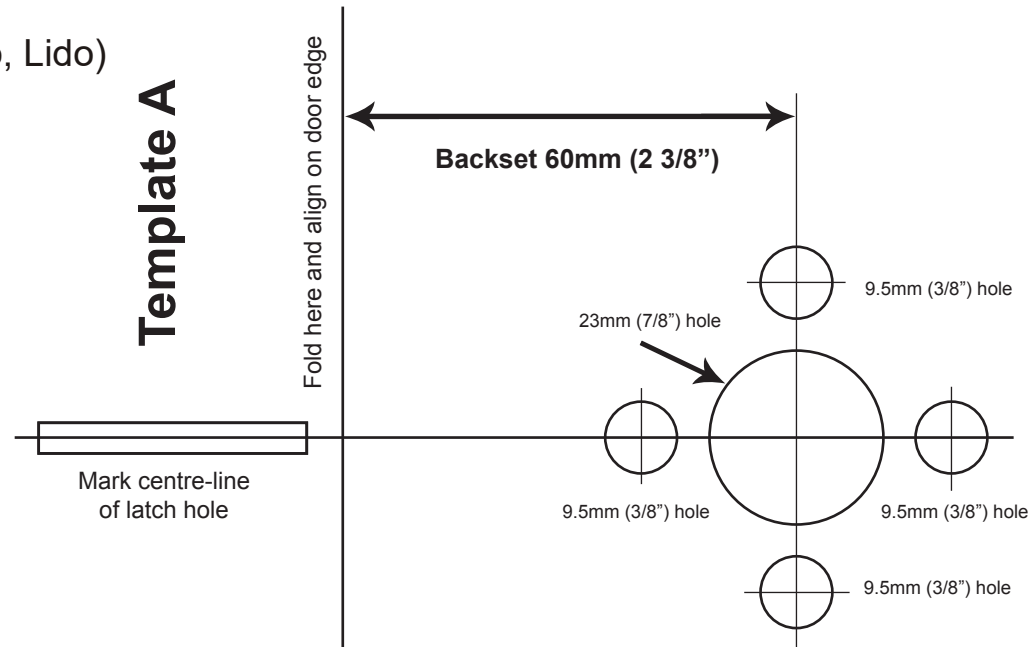


8. Tighten grub screw on underside or side of lever neck using "L" shaped screw key (see Fig 8.)



9. For square passage cover plates, press the plate firmly against the door and gently tighten the additional grub screw located under the bottom of the plate.

Template A



Template B

