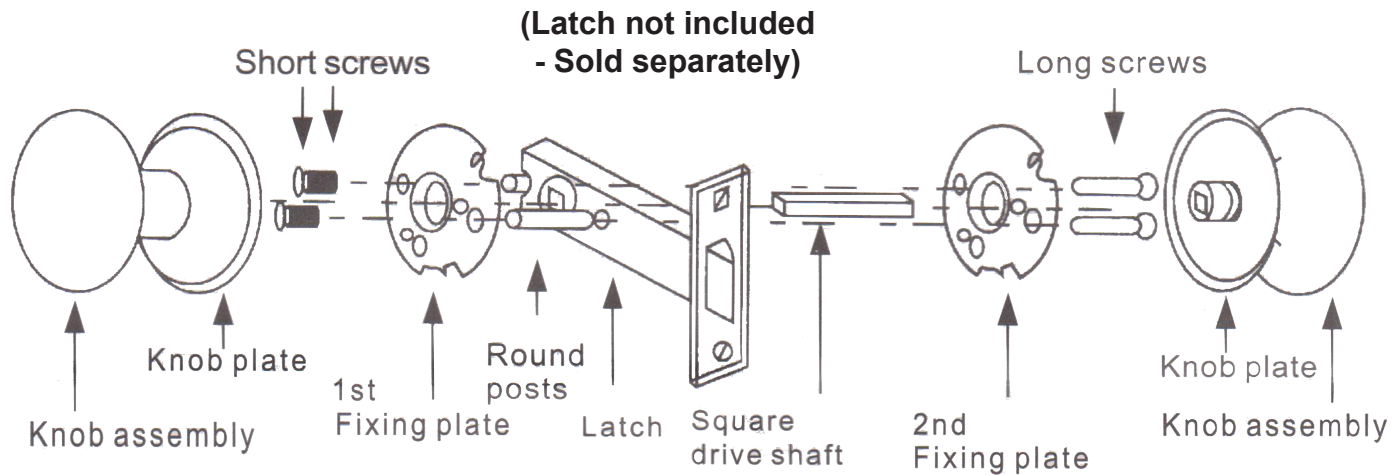


Nidus Wentworth & Corona Passage Set

Fitting Instructions

Version 1.0 18-6-21



1. Using the template provided below, mark drilling centres on the door.
(Note: The template shows hole centres for a 60mm backset installation using a 60mm latch.
The Latch is not included - sold separately).
2. Unscrew 1st and 2nd fixing plate from knob assemblies. Install latch.
3. Insert the two short screws through the two small holes on the 1st fixing plate and attach the two round posts to the underside of the 1st fixing plate.
4. Insert the two round posts through the door to pass through the latch and fasten to the 2nd fixing plate with the two long screws.
5. Insert the square drive shaft (spindle) through the latch.
6. Screw and tighten knob backplates onto threaded fixing discs.

Template

Important note: Before using this template, please check-measure the actual dimensions shown with a ruler, as variations can occur in printing and copying.

