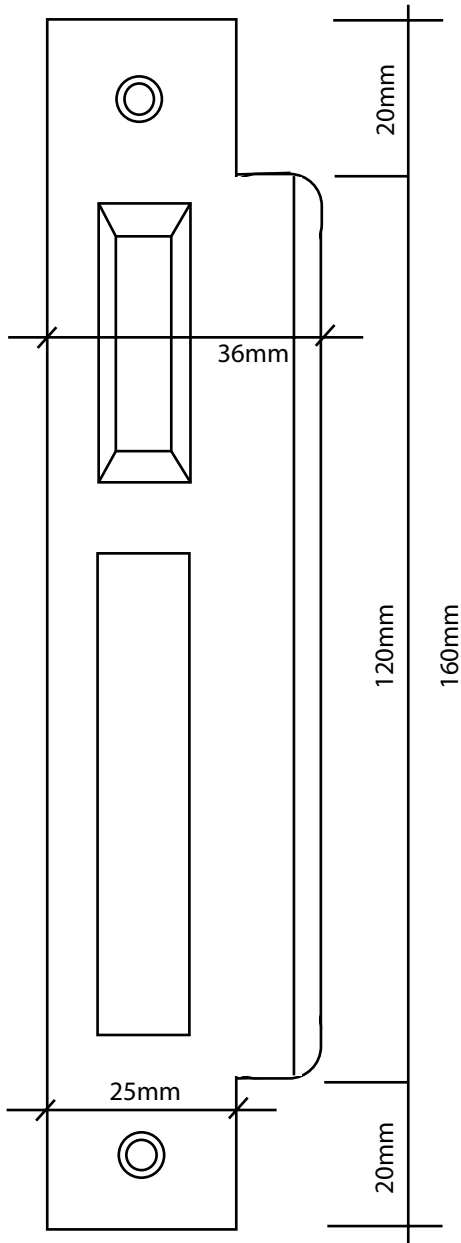


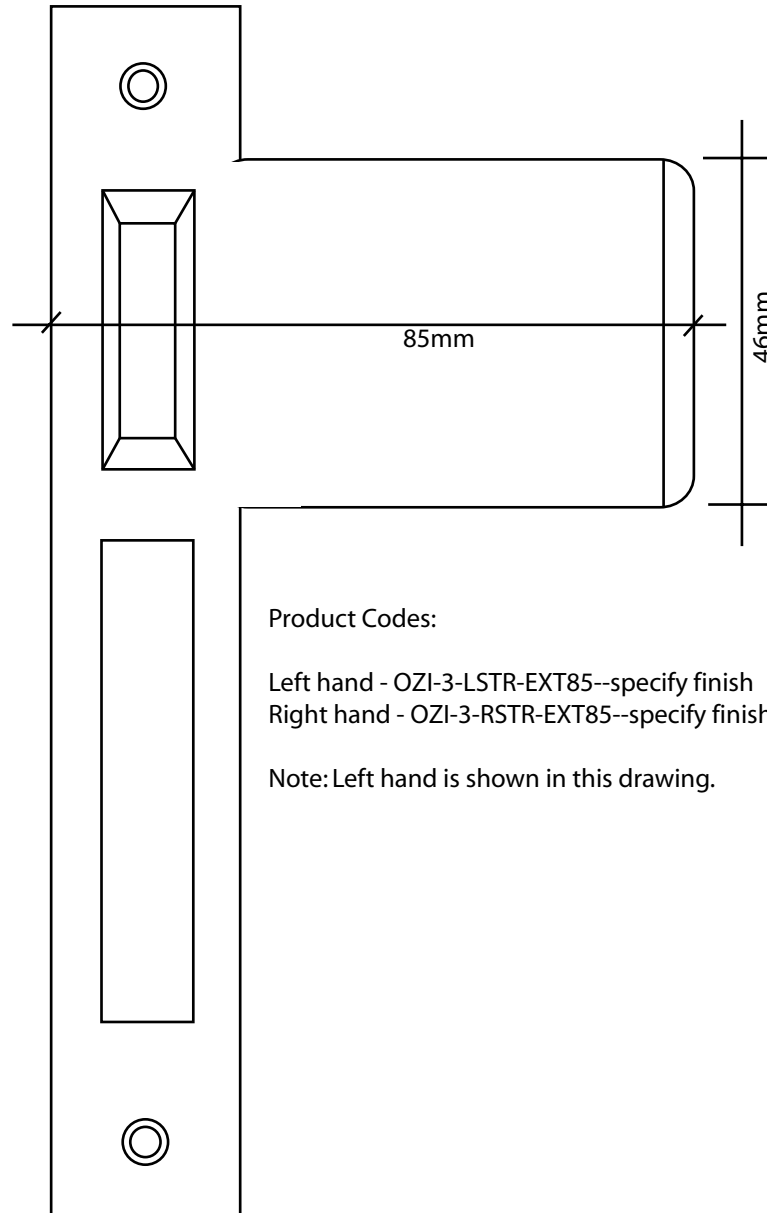
Option 1: Standard OZI-3 Striker Plate

Supplied when you order a standard OZI-3 striker kit.



Option 2: Extended OZI-3 Striker Plate

Available upon request from Nidus at additional cost with a total width of 85mm.



Product Codes:

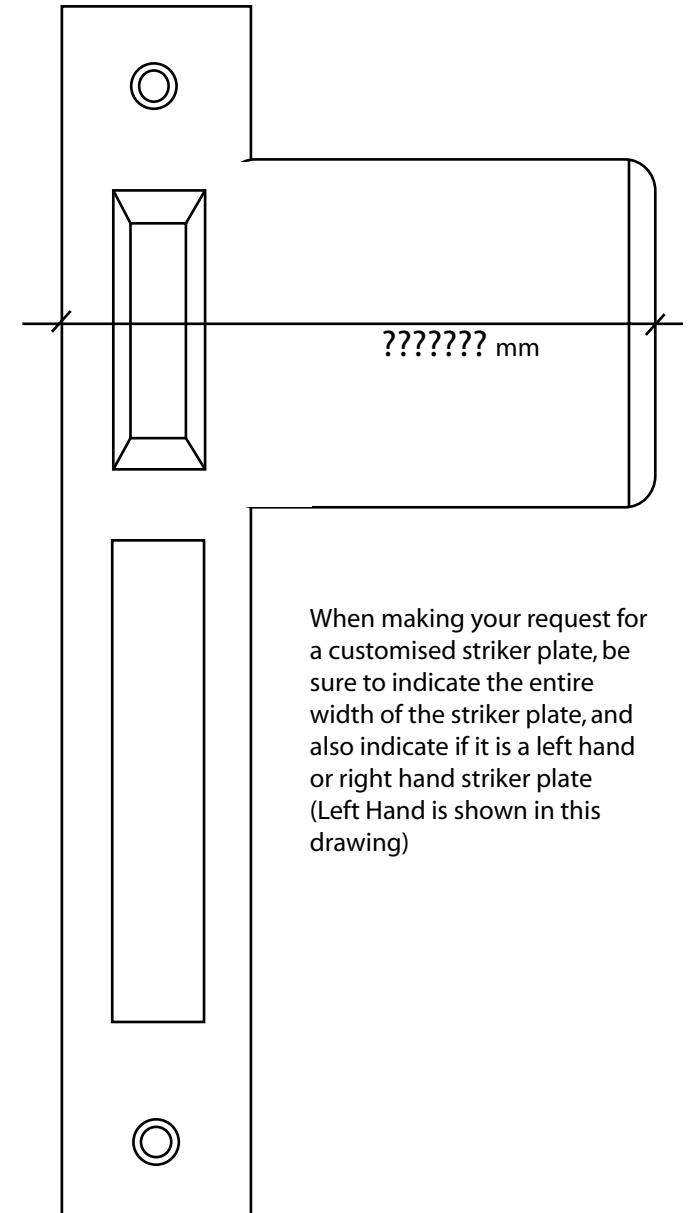
Left hand - OZI-3-LSTR-EXT85--specify finish

Right hand - OZI-3-RSTR-EXT85--specify finish

Note: Left hand is shown in this drawing.

Option 3: Customised OZI-3 Striker Plate

Manufactured upon request from Nidus at additional cost and up to 4 week lead time in the specified width to suit your application.



When making your request for a customised striker plate, be sure to indicate the entire width of the striker plate, and also indicate if it is a left hand or right hand striker plate (Left Hand is shown in this drawing)